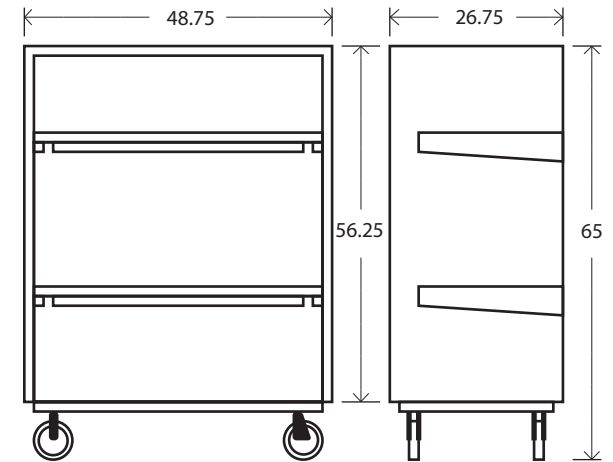
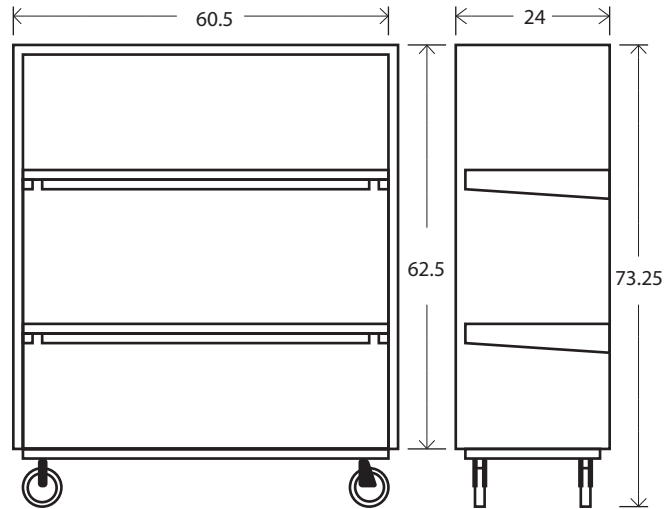
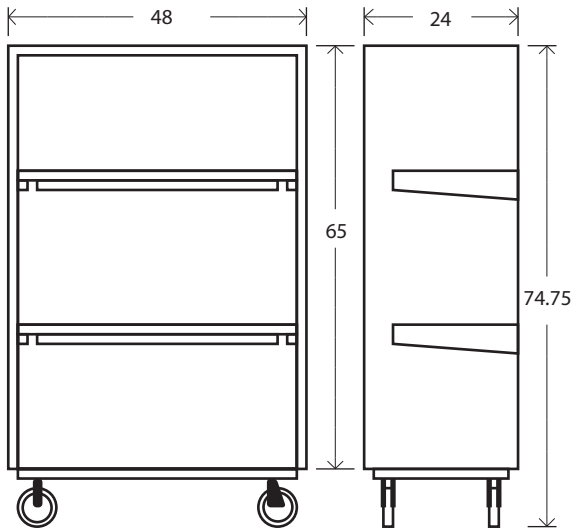


102P (38 cu ft)

101P (46.5 cu ft)

103P (37 cu ft)



Dimensions are approximate. Shown with optional 8" x 2" casters in arrangement B.



- Non-removable shelf system
- Payloads to 800 lbs.
- Weatherproof (optional covers, too)
- Automatic cart washer/dryer-friendly
- Industrial grade casters
- Costs less than metal carts



www.ModLaundry.com